

RE THERMALIZATION OVENS



Save and recall 8 preset menu selections for cooking cycle time and temperature as well as holding

Precise temperature control to bake, cook or reheat and then hold

Durable all stainless steel construction

240 volt (3 of the units can be converted to 480 volt)



Designed for the corrections environment

- Lockable Security panel over controls gives access to on/start and program buttons but not settings
- Stainless steel perforated shelves to hold meals, not wires
- Tamper resistant fasteners



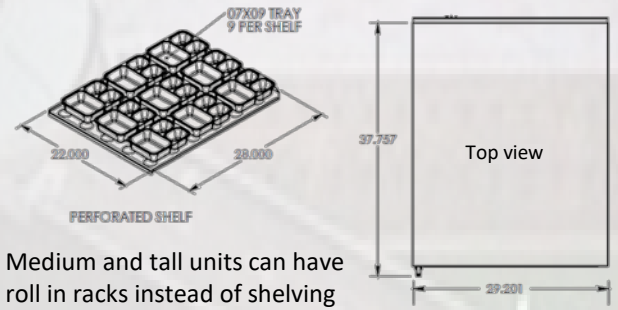
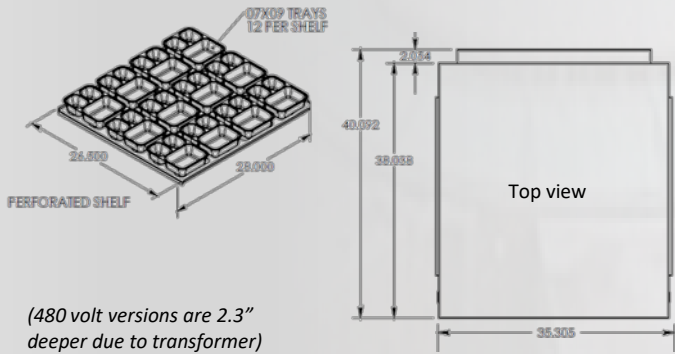
Call 800.848.8160 or e-mail jzsales@joneszylon.com

RE THERMALIZATION OVENS

There are two product families; a short, medium and tall unit in each

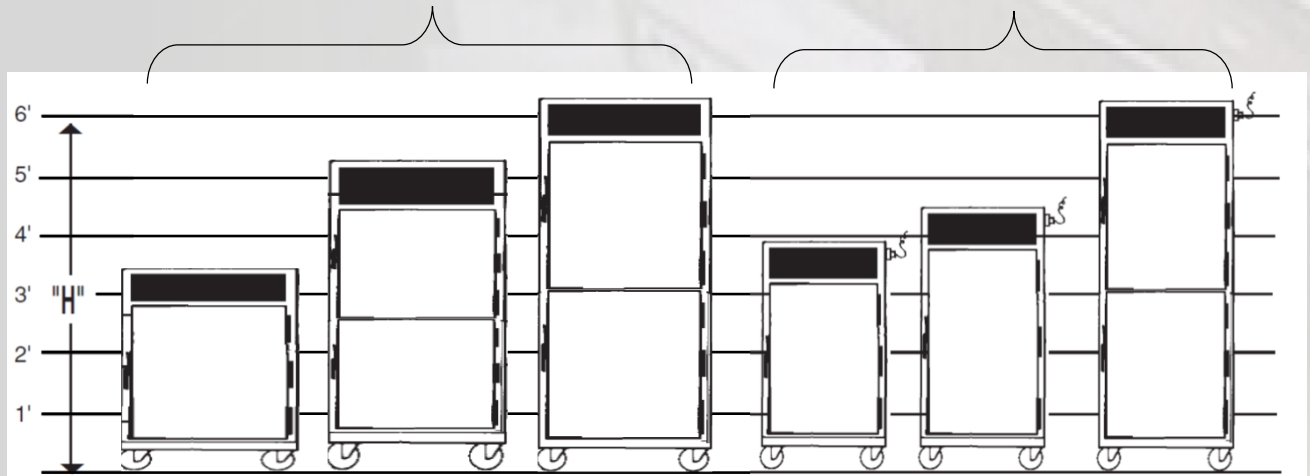
JZRT series are wide and fit 12 trays per shelf

JZRTN series are narrow and fit 9 trays per shelf



JZRT series

JZRTN series



7"x 9" trays per unit	72	144	192	72	90	162
-----------------------	----	-----	-----	----	----	-----

Electrical – 3 phase, 60 hertz

Volts	208/240	208/240/480	208/240/480	208/240	208/240	208/240/480
Watts	7,075/9,325	11,480/15,080/12,432	11,480/15,080/12,432	9,745/11,110	9,745/11,110	11,080/14,680/12,432
Amps	20.1/22.9	32.4/36.8/15.2	32.4/36.8/15.2	27.6/27.2	27.6/27.2	27.1/35.3/15.2
Plug	15-30P	15-50P/L16-20	15-50P/L16-20	15-30P	15-30P	15-50P/L16-20

Call 800.848.8160 or e-mail jzsales@joneszylon.com